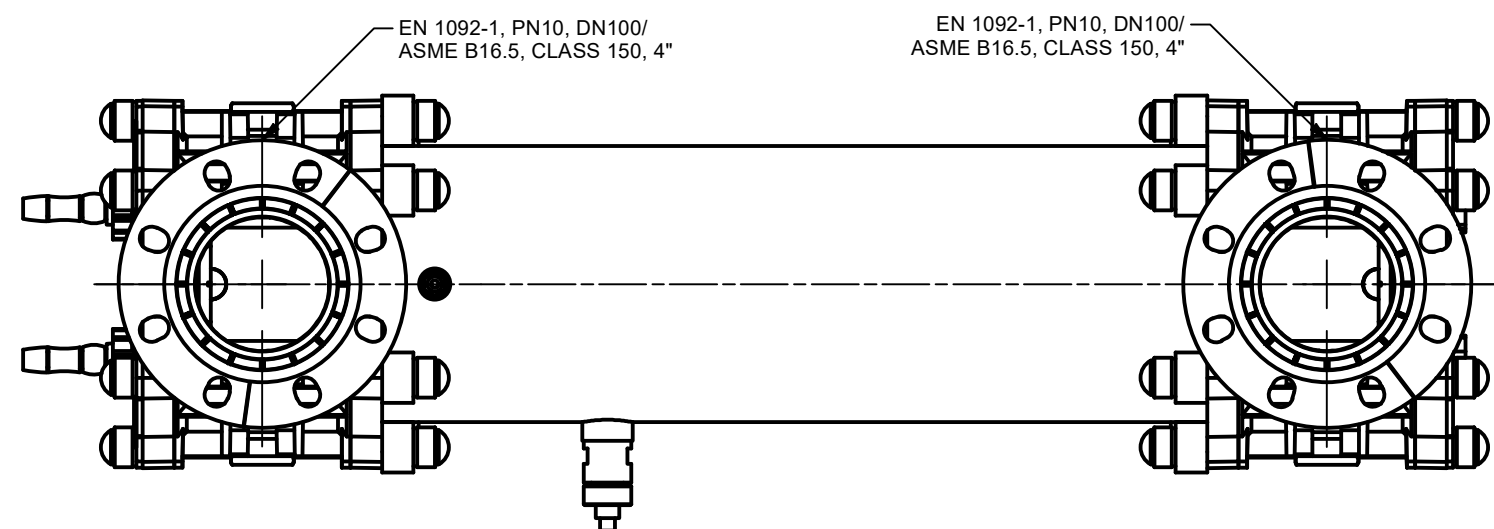
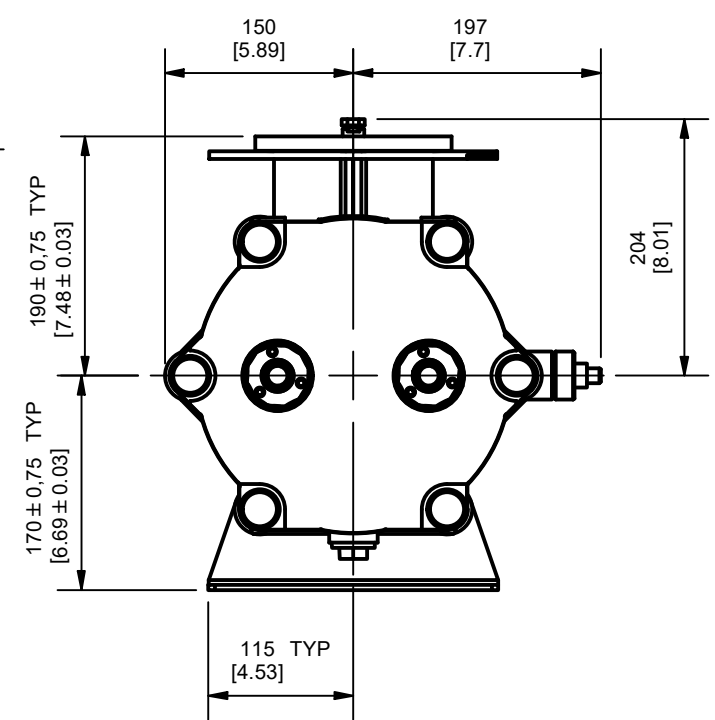
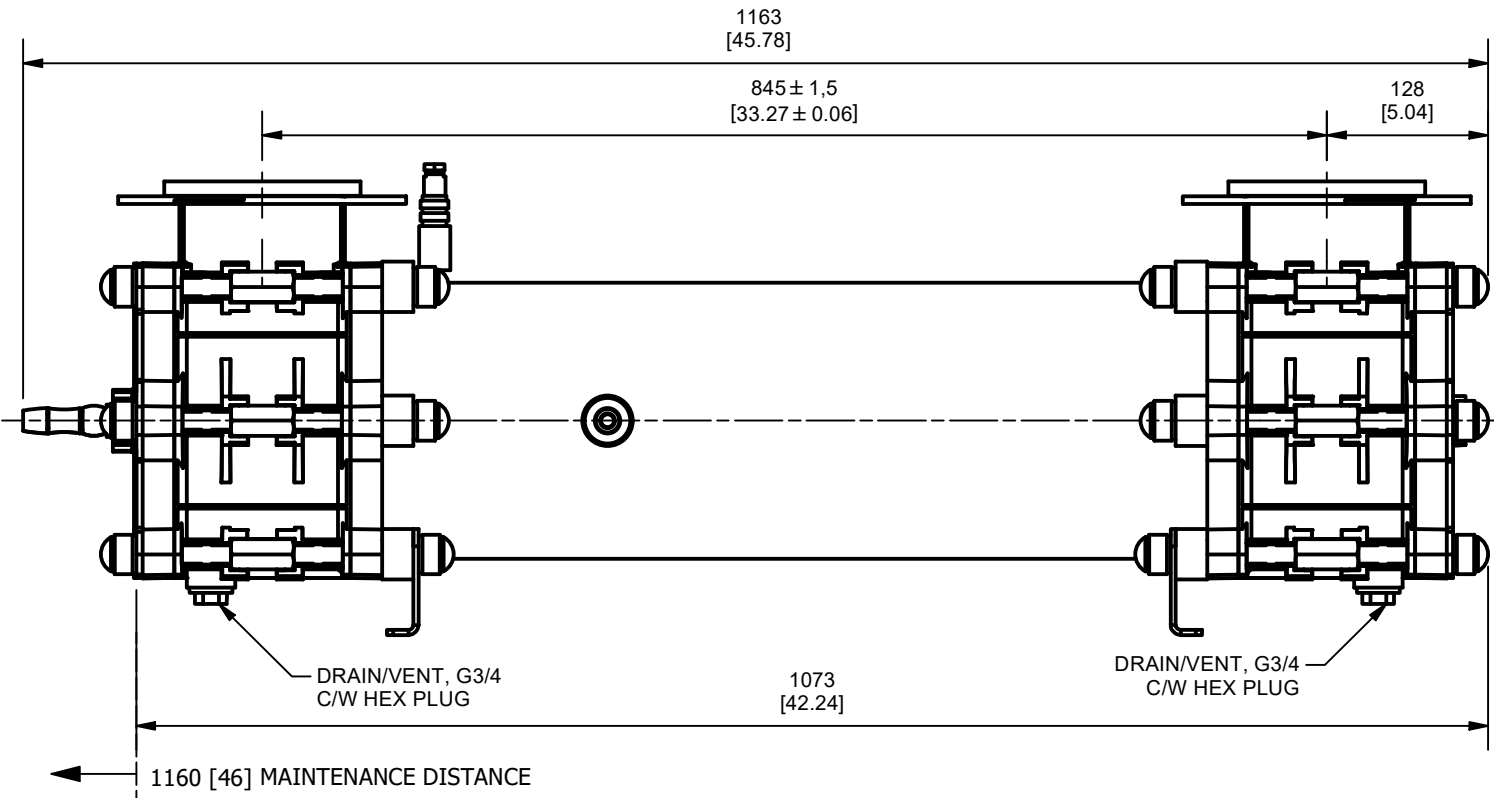
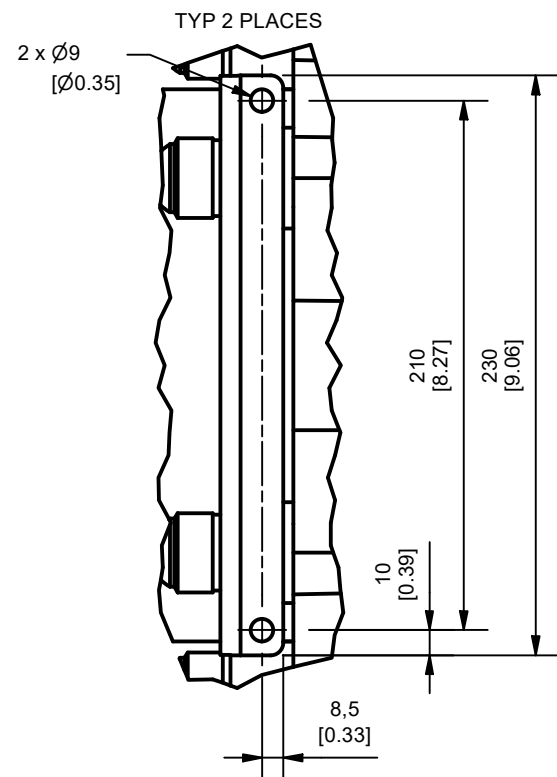


DETAIL A



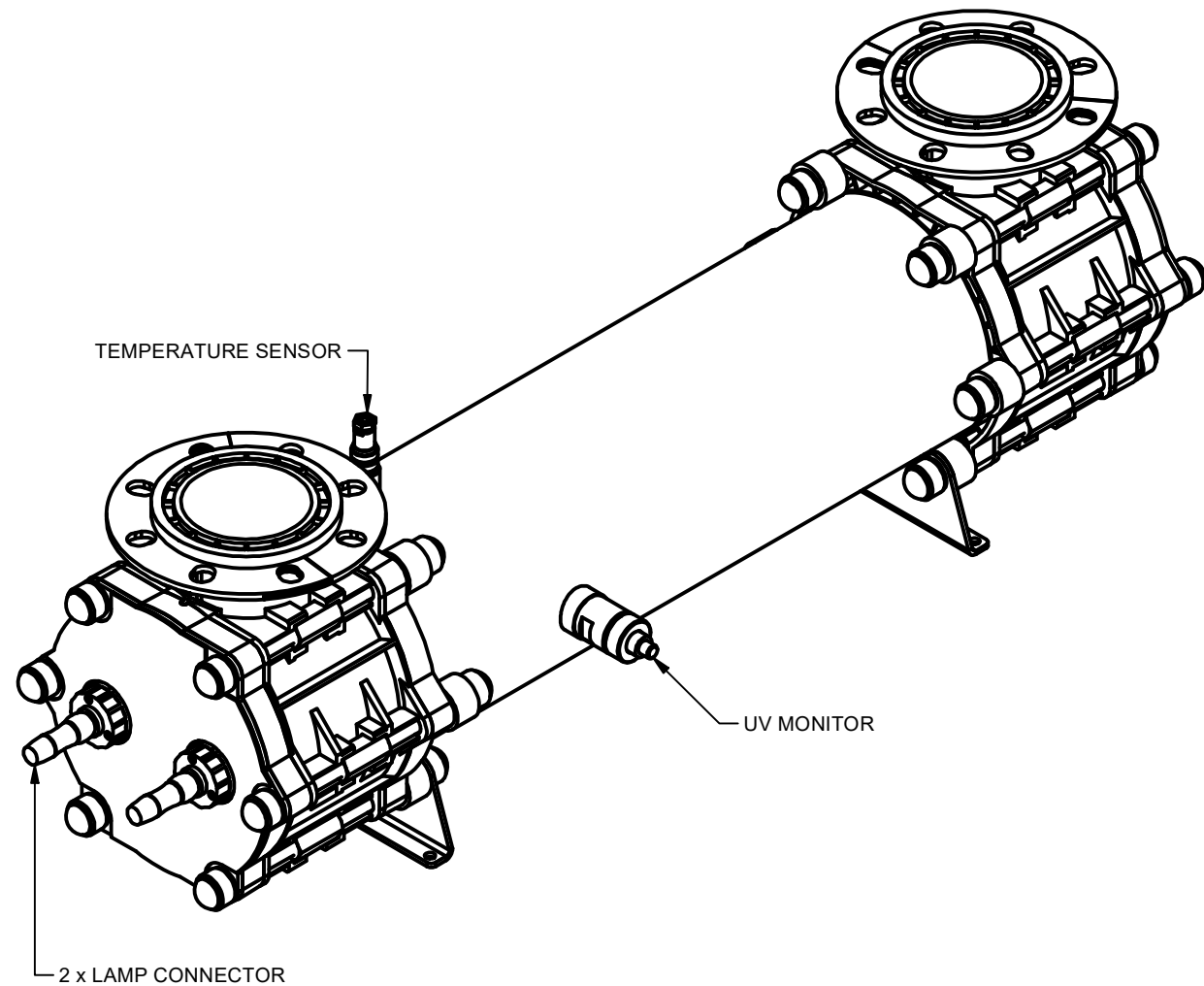
STD:297x420_A3_v4.42 BAR = 25mm AT PLOT SCALE

REV	DESCRIPTION	DATE	DWN	CKD	APPD	ECN
C	SENSOR POSITION REVISED	23/04/2024	T.D.C	G.FOSTER	M.PERRY	
B	SECOND ISSUE	28/02/2024	T.D.C	G.FOSTER	M.PERRY	
A	FIRST ISSUE	07/02/2024	T.D.C	G.FOSTER	M.PERRY	

<small>COMPANY CONFIDENTIAL INFORMATION THIS DOCUMENT AND ALL INFORMATION CONTAINED HEREIN, INCLUDING THE DESIGN CONCEPTS AND THOSE ARISING THEREFROM ARE THE PROPERTY OF EVOQUA AND/OR ITS AFFILIATES AND ARE SUBMITTED IN CONFIDENCE. THEY MAY BE USED ONLY FOR THE EXPRESS PURPOSE FOR WHICH THEY ARE PROVIDED AND MUST NOT BE DISCLOSED, REPRODUCED OR COPIED IN ANY FORM, INCLUDING IN ELECTRONIC FORMAT, LOANED OR USED IN ANY OTHER MANNER WITHOUT THE EXPRESS WRITTEN CONSENT OF EVOQUA. ALL PATENT RIGHTS ARE RESERVED. THIS DOCUMENT AND DERIVATIVE WORKS THEREOF ARE PROTECTED UNDER APPLICABLE COPYRIGHT LAWS. UPON DEMAND OF EVOQUA, THIS DOCUMENT, ALONG WITH ALL COPIES AND EXTRACTS, AND ALL RELATED NOTES AND ANALYSES MUST BE RETURNED TO EVOQUA OR DESTROYED, AS INSTRUCTED BY EVOQUA. ACCEPTANCE OF THE DELIVERY OF THIS DOCUMENT CONSTITUTES AGREEMENT TO THESE TERMS.</small>			DWN BY: T.D.C DATE 07/02/2024	CKD BY: G.FOSTER DATE 06/02/2024	APPD BY: M.PERRY DATE 16/02/2024	MGD BY: SCALE NTS	PART NUMBER	TITLE EQUIPMENT GENERAL ARRANGEMENT CGA_TI-2200-8-4_E00	CLIENT STANDARD PRODUCTS	EVOQUA WATER TECHNOLOGIES WARRINGTON CHESHIRE GBR +44 (0)3001240500	PROJ/PROD NUMBER M-GA01	CODE V112059674	FILE/DRAWING NUMBER 1 OF 2	SHEET 1 OF 2	REV C
---	--	--	--	---	---	-------------------------	-------------	---	-----------------------------	---	----------------------------	--------------------	-------------------------------	-----------------	----------

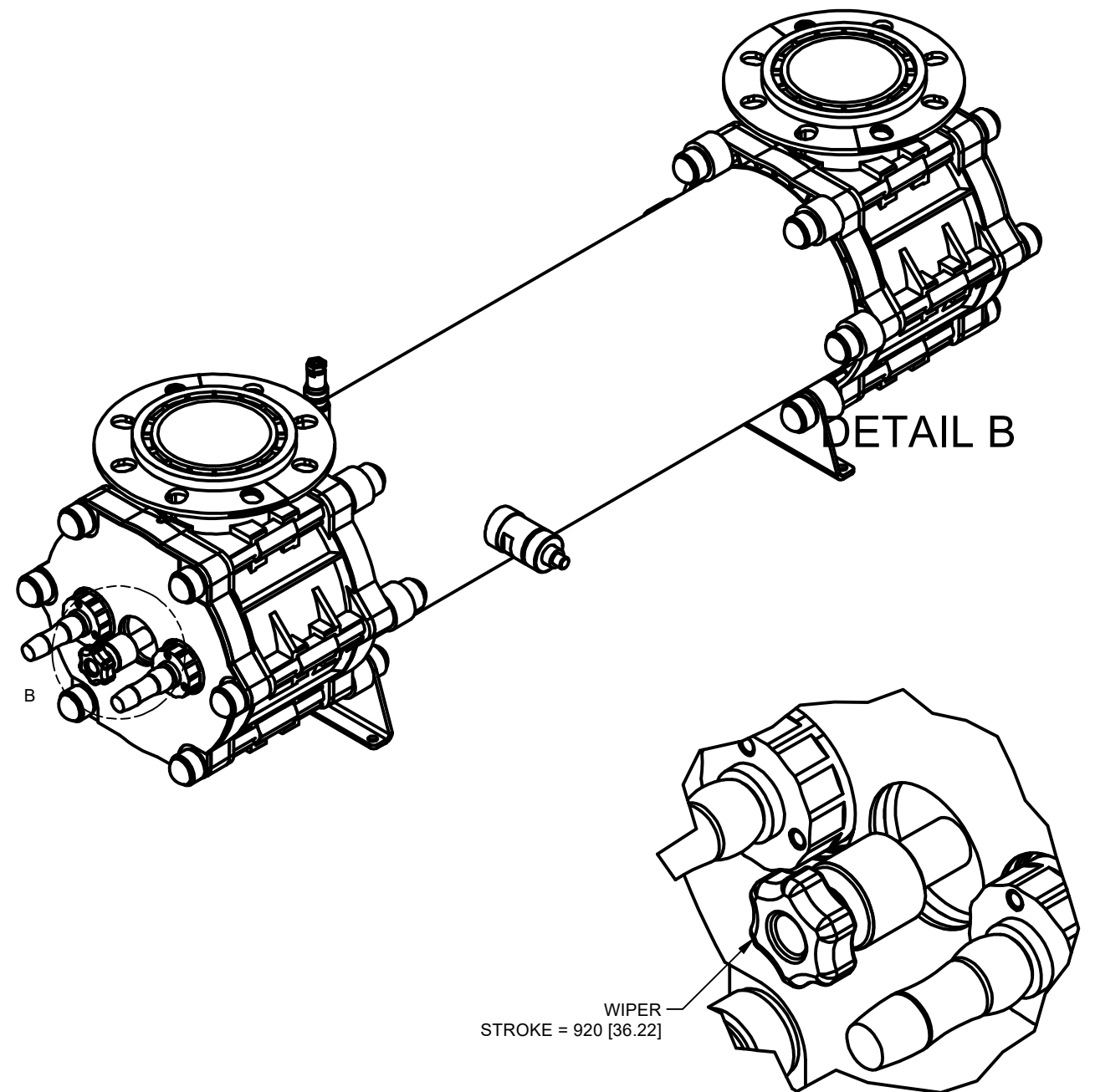
STANDARD SYSTEM

(CGA_TI-2200-8-4_E10)



OPTIONAL WIPER UPGRADE

(CGA_TI-2200-8-4_E20)



STD:297x420_A3_v4.42 BAR = 25mm AT PLOT SCALE

<p>COMPANY CONFIDENTIAL INFORMATION THIS DOCUMENT AND ALL INFORMATION CONTAINED HEREIN, INCLUDING THE DESIGN CONCEPTS AND THOSE ARISING THEREFROM ARE THE PROPERTY OF EVOQUA AND/OR ITS AFFILIATES AND ARE SUBMITTED IN CONFIDENCE. THEY MAY BE USED ONLY FOR THE EXPRESS PURPOSE FOR WHICH THEY ARE PROVIDED AND MUST NOT BE DISCLOSED, REPRODUCED OR COPIED IN ANY FORM, INCLUDING IN ELECTRONIC FORMAT, LOANED OR USED IN ANY OTHER MANNER WITHOUT THE EXPRESS WRITTEN CONSENT OF EVOQUA. ALL PATENT RIGHTS ARE RESERVED. THIS DOCUMENT AND DERIVATIVE WORKS THEREOF ARE PROTECTED UNDER APPLICABLE COPYRIGHT LAWS. UPON DEMAND OF EVOQUA, THIS DOCUMENT, ALONG WITH ALL COPIES AND EXTRACTS, AND ALL RELATED NOTES AND ANALYSES MUST BE RETURNED TO EVOQUA OR DESTROYED, AS INSTRUCTED BY EVOQUA. ACCEPTANCE OF THE DELIVERY OF THIS DOCUMENT CONSTITUTES AGREEMENT TO THESE TERMS.</p>		DWN BY:	DATE	<p>TITLE EQUIPMENT GENERAL ARRANGEMENT CGA_TI-2200-8-4_E00</p> <p>CLIENT STANDARD PRODUCTS</p> <p>evoqua EVOQUA WATER TECHNOLOGIES WARRINGTON CHESHIRE GBR +44 (0)3001240500</p>	
		T.D.C	07/02/2024		
		CKD BY:	DATE		
		G.FOSTER	06/02/2024		
APPD BY:	DATE	<p>PART NUMBER</p> <p>PROJ/PROD NUMBER</p> <p>CODE</p> <p>FILE/DRAWING NUMBER</p> <p>SHEET</p> <p>REV</p>			
M.PERRY	16/02/2024				
MGD BY:	SCALE	<p>SCALE</p> <p>NTS</p>			
		<p>WIPER</p> <p>STROKE = 920 [36.22]</p>			
		<p>DETAIL B</p>			
		<p>2 x LAMP CONNECTOR</p>			
		<p>UV MONITOR</p>			
		<p>TEMPERATURE SENSOR</p>			